



## KÖSTER Base for Sanitary Vent DN 100

Technical Data Sheet RT 915 024

Issued: 2021-11-25

### Sanitary Vent Base for insulated roofs

#### Features

- Extension for the KÖSTER Sanitary Vent
- Ventilation properties optimized in terms of flow technology
- For living space ventilator and sewage pipe ventilation
- Quick installation thanks to individual flange connections
- Weather, frost and UV resistant

#### Technical Data

- Hard PVC, grey
- Connection diameter: DN 100
- Diameter Flange: 370 mm
- Diameter Installation opening: 120 mm
- Pipe length: 290 mm
- Reaction to fire B2 (no direct flame contact)

#### Fields of Application

- Extension of the KÖSTER Sanitary Vent to a two-part vent for thermally insulated roofs
- Ventilation of bathrooms and toilet rooms without outside windows
- Wastewater aeration and ventilation (DIN 1986)
- Ventilation for kitchen extractor hoods
- Controlled living space ventilation

#### Application

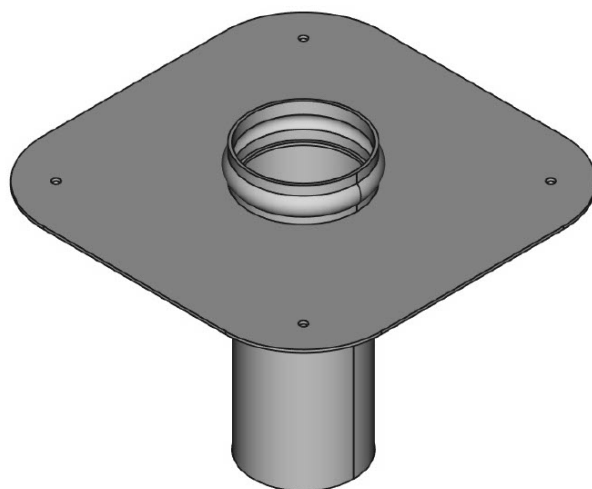
As a two-part variant for warm roofs, the basic element is mounted on the supporting shell, connected to the ventilation duct and connected to the vapor barrier layer.

The KÖSTER Sanitary vent is installed in accordance with the KÖSTER TPO installation instructions and the Technical Manual for roofing membranes from the KÖSTER BAUCHEMIE AG.

#### Safety

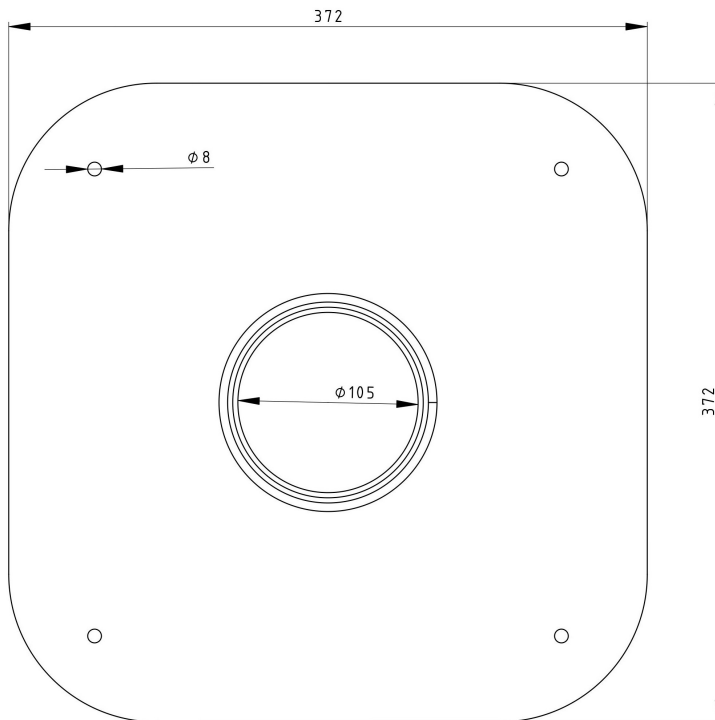
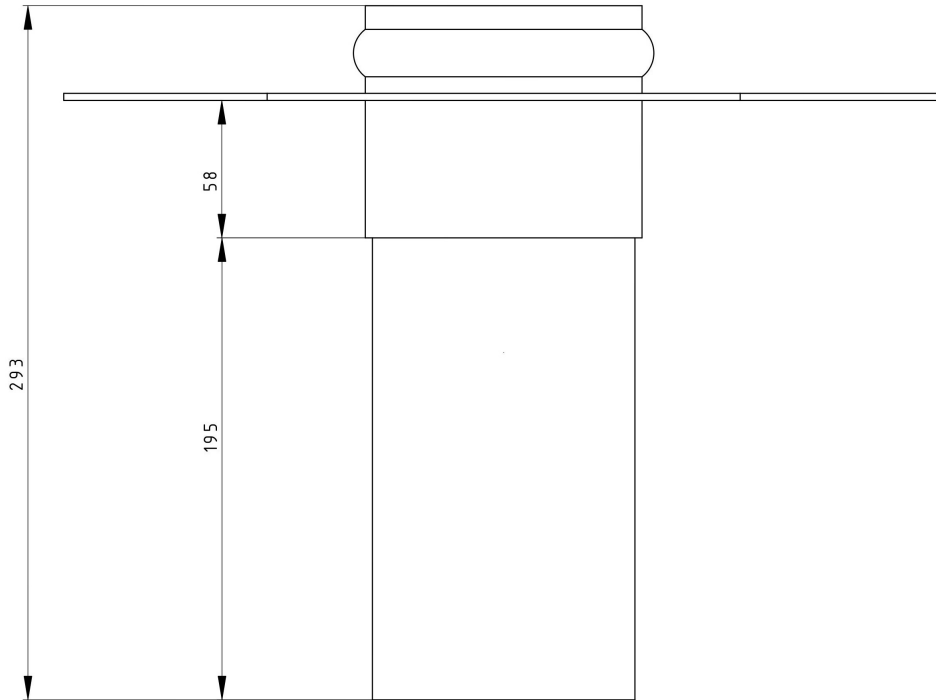
Observe all local, state, and governmental safety regulations when installing the product.

#### Other



The information contained in this technical data sheet is based on the results of our research and on our practical experience in the field. All given test data are average values which have been obtained under defined conditions. The proper and thereby effective and successful application of our products is not subject to our control. The installer is responsible for the correct application under consideration of the specific conditions of the construction site and for the final results of the construction process. This may require adjustments to the recommendations given here for standard cases. Specifications made by our employees or representatives which exceed the specifications contained in this technical guideline require written confirmation. The valid standards for testing and installation, technical guidelines, and acknowledged rules of technology have to be adhered to at all times. The warranty can and is therefore only applied to the quality of our products within the scope of our terms and conditions, not however, for their effective and successful application. This guideline has been technically revised; all previous versions are invalid.

KÖSTER BAUCHEMIE AG • Dieselstraße 1-10 • D-26607 Aurich • Tel. 04941/9709-0 • Fax -40 • info@koester.eu • www.koester.eu



The information contained in this technical data sheet is based on the results of our research and on our practical experience in the field. All given test data are average values which have been obtained under defined conditions. The proper and thereby effective and successful application of our products is not subject to our control. The installer is responsible for the correct application under consideration of the specific conditions of the construction site and for the final results of the construction process. This may require adjustments to the recommendations given here for standard cases. Specifications made by our employees or representatives which exceed the specifications contained in this technical guideline require written confirmation. The valid standards for testing and installation, technical guidelines, and acknowledged rules of technology have to be adhered to at all times. The warranty can and is therefore only applied to the quality of our products within the scope of our terms and conditions, not however, for their effective and successful application. This guideline has been technically revised; all previous versions are invalid.

**KÖSTER BAUCHEMIE AG • Dieselstraße 1-10 • D-26607 Aurich • Tel. 04941/9709-0 • Fax -40 • info@koester.eu • www.koester.eu**